

# HCC SERIES RELAYS

HCC are available in HCC 12A & 16A  
HCC 16 A Formerly Known as MPR



## TECHNICAL SPECIFICATIONS

TYPE		HCC	
TERMINAL TYPE		Solder	
CONTACT CONFIGURATION		1C / 2C / 3C	
RATED CARRYING CURRENT (RESISTIVE) AT 24 VDC / 250 VAC		12A	16A
CONTACT MATERIAL		Silver alloy	
INITIAL CONTACT RESISTANCE (MAX)		0.050 Ω	
COIL NOMINAL VOLTAGES	DC	6 - 220 V	
	AC	6 - 240 V	
OPERATING POWER (MIN-MAX) FOR DC COIL		1.2 - 1.21 W	
OPERATING POWER (MIN-MAX) FOR AC COIL		2.42 - 3.60 VA	
DIELECTRIC STRENGTH BETWEEN	OPEN CONTACT	2000 VAC	
	COIL TO CONTACT	2000 VAC	
INSULATION RESISTANCE AT 500 VDC AT 27°C & 65% RH		100 MΩ	
OPERATE TIME (MAX)		25 ms	
RELEASE TIME (MAX)		15 ms	
AMBIENT TEMPERATURE		-40°C To +70°C	
ELECTRICAL LIFE (NO OF OPERATIONS)		10 <sup>5</sup>	
MECHANICAL LIFE (NO OF OPERATIONS)		10 <sup>6</sup>	
ALL DIMENSIONS ARE IN mm (W x L x H)		37.2 x 53.4(+9.1) x 38.5	
MAX WEIGHT IN GRAMS		126 gms (approx)	
OPTIONAL FEATURE		Diode	
STANDARDS		Meeting as per IEC 61810-1	



## SALIENT FEATURES

- Versatile Relays Satisfying low to
- Medium Power Sources
- High Reliability
- Elegant/ Sturdy and Light Weight

## APPLICATIONS

- Voltage Stabilizer
- Uninterrupted Power Supply
- Process Control System
- Control Panels
- Inverters
- Industrial Controls

### NOTE:-

- 1) All Specification / Dimensions subject to Tolerance.
- 2) Any Techno commercial changes is / are prerogative of manufacturer / management of the company which can be done without any notice.
- 3) HCC Relay of 16 A is formerly known as MPR.



+91 22 25106104/05



+91 7045459530



sales@plarelays.com

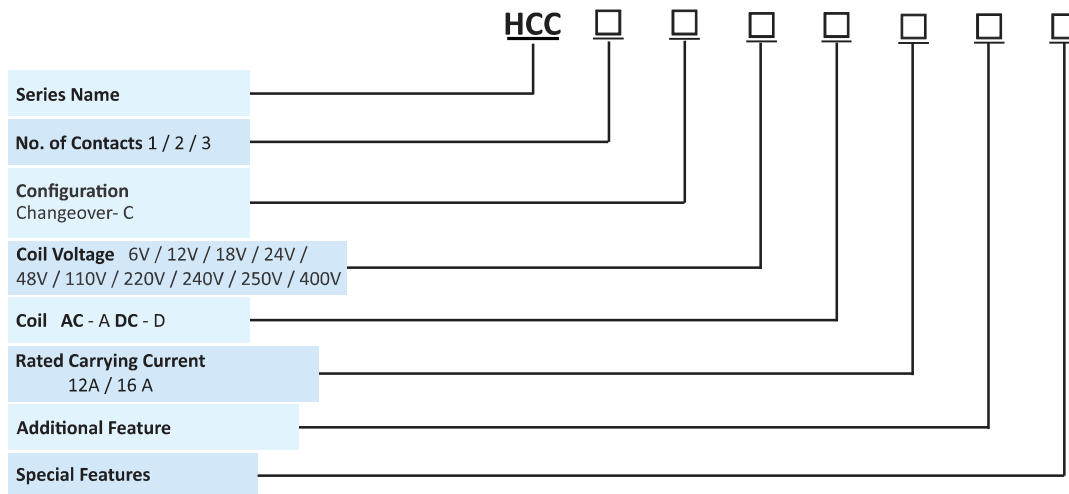


www.plarelays.com

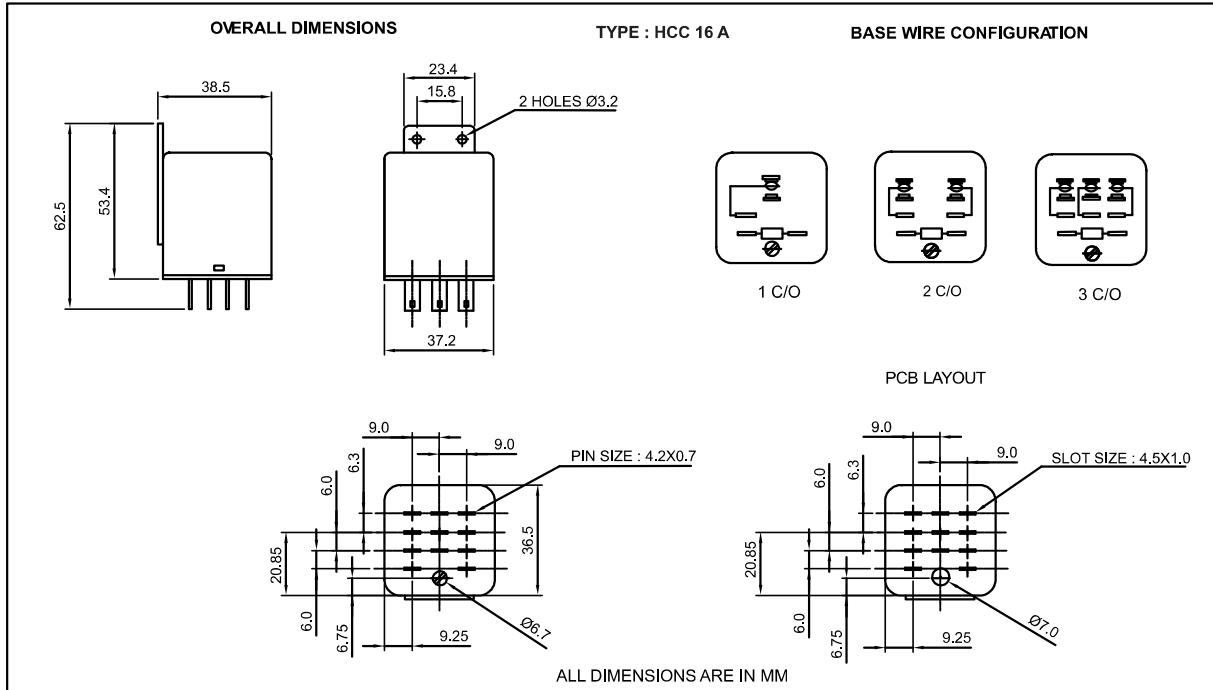
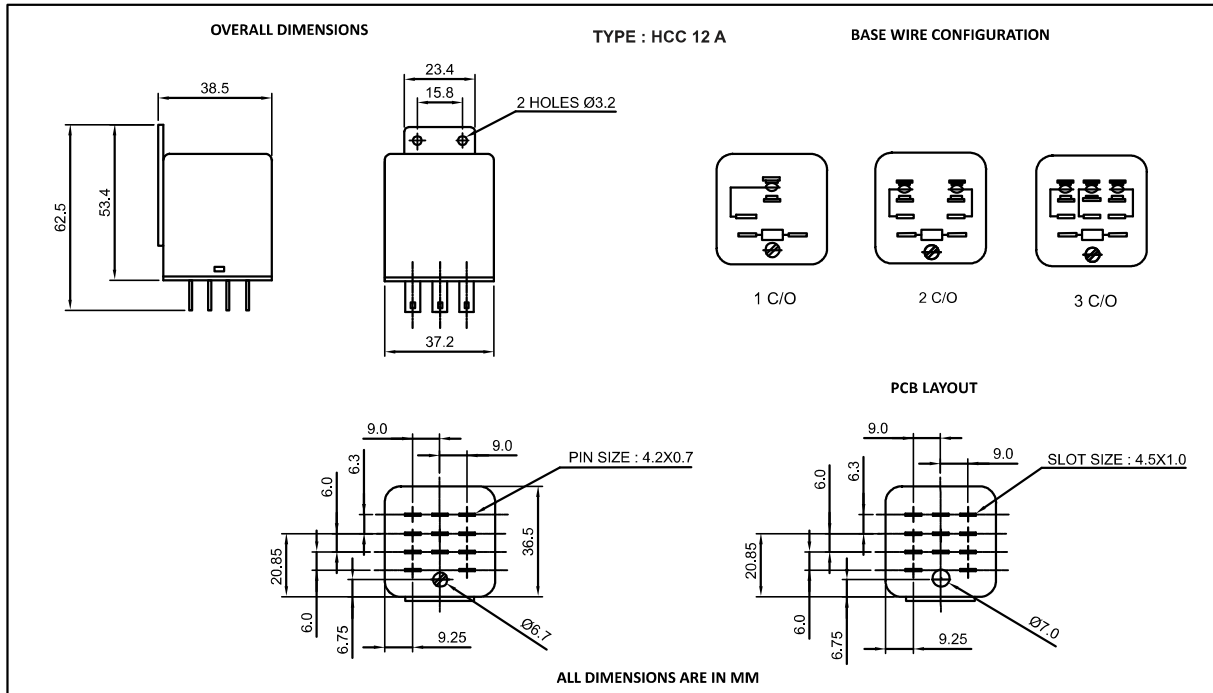
## COIL – DATA ( ALL VALUES AT 27°C ± 2°AMBIENT, COLD START)

NOMINAL VOLTAGE (V)	RESISTANCE IN OHM'S ± 10% Ω		MUST OPERATE VOLTAGE (V)	MUST RELEASE VOLTAGE (V)	OPERATING POWER FOR DC COIL	
	DC RELAY	AC RELAY			DC (W)	AC (VA)
6	30	4	4.8	0.6	1.2	3.60
12	120	16	9.6	1.2	1.2	3.60
18	270	-	14.4	1.8	1.2	-
24	480	70	19.2	2.4	1.2	3.29
48	1.9k	-	38.4	4.8	1.21	-
110	10k	2k	88	11	1.21	2.42
220	40k	-	176	22	1.21	-
240	-	9.5k	192	24	-	2.43
250	50k	-	200	25	1.25	-
400	-	27k	320	40	-	2.37

## ORDERING CODE FOR RELAY



## DIMENSIONS



**NOTE :-** 1) In case no tolerance shown in outline dimensions : Outline dimension 1mm, tolerance should be  $\pm 0.2$ mm  
Outline dimension 1mm and 5mm, tolerance should be  $\pm 0.3$ mm Outline dimension 5mm tolerance should be  $\pm 0.4$ mm  
2) The tolerance without indicating for PCB layout is always  $\pm 0.2$ mm



+91 22 25106104/05



+91 7045459530



sales@plarelays.com



www.plarelays.com